

CARE PLUS

S064967

CARE PLUS | Waste set in neutral finish

Image & drawing

Armitage Shanks

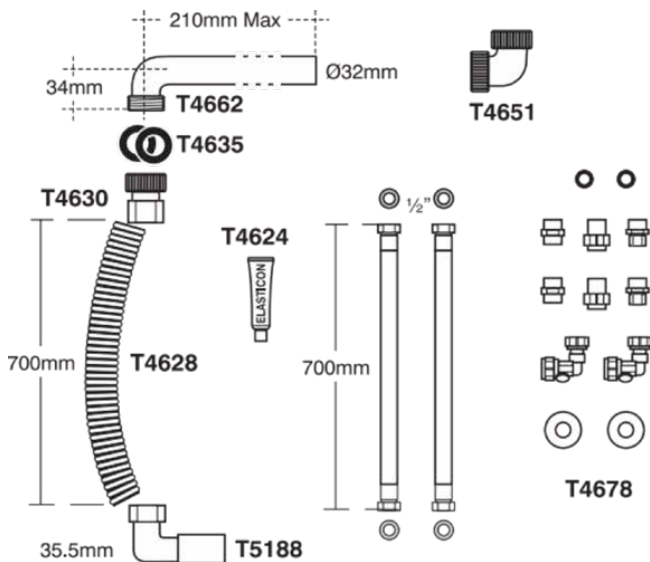


General information

Product type:	Washbasin ancillaries
Sub product type:	Waste set
Brand:	Armitage Shanks
Suite name:	CARE PLUS
Colour:	67 - Neutral
Surface finish effect:	matt
Net weight (kg):	0.88
EAN code:	5017830525240

Product specifications

Colour code:	67
Colour description:	neutral
Material:	Plastic
Surface finish effect:	matt



Your local contact:

België • Belgique

Ideal Standard Produktions-GmbH
Corporate Village - Frame 21 Building
Da Vincilaan 2
B-1935 Zaventem
☎ +32 2 325 66 00
☎ +32 2 325 66 01
🌐 www.idealstandard.be

Éire

Ideal Standard Éire
2nd Floo, Unit 3103 Lake Drive Citywest
Business Campus Tallaght Dublin 24 YXW2
☎ +353 1 4564525
🌐 www.idealstandard.ie

Österreich

Ideal Standard GmbH
Zweigniederlassung Österreich
Erzherzog-Karl-Str. 131-135
1220 Wien Österreich
☎ +43 125 66 222-0
☎ +43 125 66 222-625
🌐 www.idealstandard.at

България

Идеал Стандарт - Видима АД
ул. "Марин Попов" 53
гр. Севлиево, 5400
☎ +359 885 938 880
✉ office@idealstandard.com
🌐 www.idealstandard.bg

España

Ideal Standard Iberia S.L.U
Riera Principal Nr. 8
08328 Alella (Barcelona - España)
☎ +34 93 561 80 00
🌐 www.idealstandard.es

Polska

Ideal Standard Polska
Ul, Ostrowskiego 7
53-238 Wroclaw
☎ +48 71 78 68 301
🌐 www.idealstandard.po

Česká republika

Ideal Standard s.r.o.
Zemská 623
41574 Teplice
☎ +420 (0)-417-265 11
☎ +420 (0)-417-265 15
🌐 www.idealstandard.cz

Ελλάδα

Ideal Standard S. A. Γραφεία Αθηνών:
Λ. Μεσογείων 265, 15451 Ν
Ψυχικό, Αθήνα
☎ +2106790800
🌐 www.idealstandard.gr

România

Ideal Standard Representative Office România
Calea Victoriei 109, Etaj 1,
Sector 1, București, 010069
☎ +40 746 050 408
✉ officebucharest@idealstandard.com
🌐 www.ideal-standard.ro

Hrvatska

Ideal Standard Hrvatska
Lopatinečka ul. 8
10000, Zagreb
☎ +385 91 229 9304
🌐 www.idealstandard.hr

France

Ideal Standard France - Siège social
39 Rue St. Sabin
75011 Paris
☎ +33 (0)1 49 38 81 34
✉ sav.idealstandard@idealstandard.com
(demandes techniques) /
devis.chantier@idealstandard.com
(demandes commerciales)
🌐 www.idealstandard.fr

Srbija

Ideal Standard - Vidima AD
Drinčićeva br.19, I sprat, stan br. 8
11000 Beograd Srbija
☎ +381 11 7138 058
🌐 www.idealstandard.rs

Danmark

Ideal Standard Skandinavia ApS
Fynsvej 9
5500 Middelfart (Denmark)
☎ +45 75 84 10 10
🌐 www.idealstandard.dk

Italia

Ideal Standard (Italia) Srl
Via Giosuè Borsi 9
20143 Milano, Italia
☎ +39 (0)2 28881
✉ info@idealstandard.it
🌐 www.idealstandard.it

United Kingdom

Ideal Standard (UK) Ltd
The Bathroom Works National Avenue
Kingston Upon Hull
HU5 4HS
☎ +44 (0)-1482 346 461
☎ +44 (0)-1482 445 886
🌐 www.idealstandard.co.uk

Deutschland

Ideal Standard GmbH
Euskirchener Straße 20
53121 Bonn
☎ +49 (0)228 521-0
☎ +49 (0)228 521-241
✉ idealstandard.de@idealstandard.com
🌐 www.idealstandard.de

Nederland

Ideal Standard Nederland BV
Hambakenwetering 3
5231 DD 's-Hertogenbosch
☎ +31 (0)-77 355 08 08
☎ +31 (0)-77 354 21 86
🌐 www.idealstandard.nl

CARE PLUS

S065267

CARE PLUS | Mounting bracket in neutral finish

Image & drawing

*Armitage
Shanks*

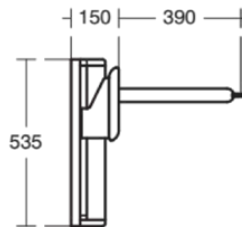
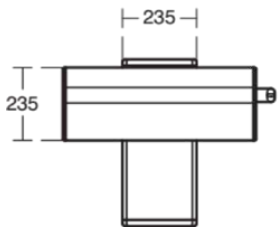
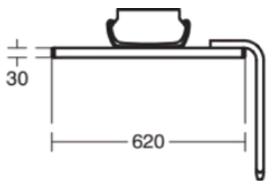


General information

Product type:	Washbasin ancillaries
Sub product type:	Mounting bracket
Brand:	Armitage Shanks
Suite name:	CARE PLUS
Colour:	67 - Neutral
Surface finish effect:	matt
Net weight (kg):	11.70
EAN code:	5017830525271

Product specifications

Colour code:	67
Colour description:	neutral
Surface finish effect:	matt



Your local contact:

België • Belgique

Ideal Standard Produktions-GmbH
Corporate Village - Frame 21 Building
Da Vincilaan 2
B-1935 Zaventem
☎ +32 2 325 66 00
☎ +32 2 325 66 01
🌐 www.idealstandard.be

Éire

Ideal Standard Éire
2nd Floo, Unit 3103 Lake Drive Citywest
Business Campus Tallaght Dublin 24 YXW2
☎ +353 1 4564525
🌐 www.idealstandard.ie

Österreich

Ideal Standard GmbH
Zweigniederlassung Österreich
Erzherzog-Karl-Str. 131-135
1220 Wien Österreich
☎ +43 125 66 222-0
☎ +43 125 66 222-625
🌐 www.idealstandard.at

България

Идеал Стандарт - Видима АД
ул. "Марин Попов" 53
гр. Севлиево, 5400
☎ +359 885 938 880
✉ office@idealstandard.com
🌐 www.idealstandard.bg

España

Ideal Standard Iberia S.L.U
Riera Principal Nr. 8
08328 Alella (Barcelona - España)
☎ +34 93 561 80 00
🌐 www.idealstandard.es

Polska

Ideal Standard Polska
Ul, Ostrowskiego 7
53-238 Wroclaw
☎ +48 71 78 68 301
🌐 www.idealstandard.po

Česká republika

Ideal Standard s.r.o.
Zemská 623
41574 Teplice
☎ +420 (0)-417-265 11
☎ +420 (0)-417-265 15
🌐 www.idealstandard.cz

Ελλάδα

Ideal Standard S. A. Γραφεία Αθηνών:
Λ. Μεσογείων 265, 15451 Ν
Ψυχικό, Αθήνα
☎ +2106790800
🌐 www.idealstandard.gr

România

Ideal Standard Representative Office România
Calea Victoriei 109, Etaj 1,
Sector 1, București, 010069
☎ +40 746 050 408
✉ officebucharest@idealstandard.com
🌐 www.ideal-standard.ro

Hrvatska

Ideal Standard Hrvatska
Lopatinečka ul. 8
10000, Zagreb
☎ +385 91 229 9304
🌐 www.idealstandard.hr

France

Ideal Standard France - Siège social
39 Rue St. Sabin
75011 Paris
☎ +33 (0)1 49 38 81 34
✉ sav.idealstandard@idealstandard.com
(demandes techniques) /
devis.chantier@idealstandard.com
(demandes commerciales)
🌐 www.idealstandard.fr

Srbija

Ideal Standard - Vidima AD
Drinčićeva br.19, I sprat, stan br. 8
11000 Beograd Srbija
☎ +381 11 7138 058
🌐 www.idealstandard.rs

Danmark

Ideal Standard Skandinavia ApS
Fynsvej 9
5500 Middelfart (Denmark)
☎ +45 75 84 10 10
🌐 www.idealstandard.dk

Italia

Ideal Standard (Italia) Srl
Via Giosuè Borsi 9
20143 Milano, Italia
☎ +39 (0)2 28881
✉ info@idealstandard.it
🌐 www.idealstandard.it

United Kingdom

Ideal Standard (UK) Ltd
The Bathroom Works National Avenue
Kingston Upon Hull
HU5 4HS
☎ +44 (0)-1482 346 461
☎ +44 (0)-1482 445 886
🌐 www.idealstandard.co.uk

Deutschland

Ideal Standard GmbH
Euskirchener Straße 20
53121 Bonn
☎ +49 (0)228 521-0
☎ +49 (0)228 521-241
✉ idealstandard.de@idealstandard.com
🌐 www.idealstandard.de

Nederland

Ideal Standard Nederland BV
Hambakenwetering 3
5231 DD 's-Hertogenbosch
☎ +31 (0)-77 355 08 08
☎ +31 (0)-77 354 21 86
🌐 www.idealstandard.nl

Aluminium shower panel with SECURITHERM sequential mixer

Ref. H963615

Thermostatic shower panel with mixer and no non-return valves

DESCRIPTION

Aluminium shower panel with SECURITHERM sequential mixer - Ref. H963615

SECURITHERM anodised aluminium shower panel for wall-mounted exposed installation.
 SECURITHERM thermostatic sequential shower mixer (non-time flow).
 Thermostatic sequential shower mixer: opens and closes with cold water.
 Mixer with no non-return valves on the inlets (reduces bacterial proliferation).
 No risk of cross flow between the hot and cold water.
 Sequential mixer with anti-scalding failsafe: shuts off automatically if cold water supply fails.
 Cold water failsafe prevents cold showers: shuts off automatically if hot water supply fails.
 Temperature control from cold water up to 39°C.
 Temperature limiter set at 39°C, can be adjusted.
 Thermal shocks are possible.
 Flow rate 9 lpm at 3 bar.
 Sliding handset on chrome-plated rail with flexible shower hose removable with push fit rapid STOP connector.
 Hygiene control lever L. 100mm.
 Top inlets with M1/2" inline stopcocks.
 Copper tubes.
 Concealed fixings. Filters.
 Shower panel suitable for healthcare facilities, retirement and care homes, hospitals and clinics.
 Suitable for people with reduced mobility.
 30-year warranty.





TECHNICAL CHARACTERISTICS

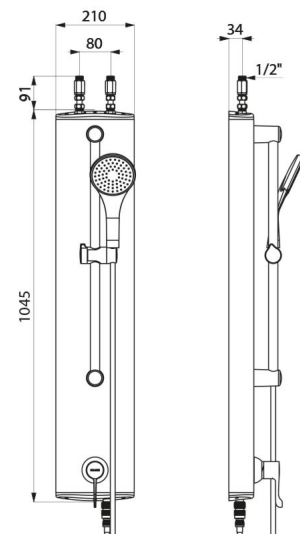
Aluminium shower panel with SECURITHERM sequential mixer - Ref. H963615

Supply	Top inlets via inline stopcocks M1/2"
Connector	M1/2", Ø 15mm
Technology	SECURITHERM single control thermostatic mixer
Height	1045mm
Width	210mm
Flow rate	9 lpm
Temperature limiter	39°C
Finish	Aluminium



ADVANTAGES

-  SECURITHERM: Optimum anti-scalding safety
-  Maximum hygiene: no non-return valves
-  Thermostatic: total temperature stability
-  Sequential: open and closing on cold water



Warranty



Green Disabled Refuge Outstation, flush

Part No. **EVC302GF**



Overview

- An attractive Type B disabled refuge outstation.
- Stylishly finished in tough, durable green steel.
- Suitable for use with C-TEC's SigTEL disabled refuge / emergency voice communication system.
- Allows anyone located in a disabled refuge area to communicate with a SigTEL Master Controller at the touch of a button (and vice versa).
- Offers true duplex speech.
- Features a 'Push to Call or Answer' button, a 'Call in Progress' LED, buzzer, microphone and loudspeaker.
- Includes connections for an optional induction loop system and a general-purpose open collector output that closes on activation of the unit.
- Meets and exceeds the requirements of BS 5839-9 when correctly installed.



More Information

Technical Specifications

Approvals/certifications	Facilitates compliance with BS5839-9 when correctly installed.
Supply/operating voltage	11V DC derived from a compatible SigTEL Master Controller (drops to 6 V DC when in use).
Quiescent current	3mA
Activation current	25mA (current draw when intercom is in use).



Open collector outputs	O/P +Ve & O/P -Ve (closes when outstation is active, typically used to trigger a third party CCTV camera, opto-isolated, normally open, max. 24 V DC, 3 mA).
Indicators	Red call in progress LED
Controls	External 'Push to Call or Answer' button (Off Hook); Internal Loudspeaker volume control; Engineer's "On Hook" and "Off Hook" pins.
Expansion connections	AFILS +Ve & AFILS -Ve (typically connected to the line-level input of an optional induction loop amplifier); Off-Hook and -Ve (can be optionally connected to an NC951 accessible toilet alarm kit)
Product dimensions (mm)	175 W x 250 H x 53 D mm. Hole required for flush mounting: 156 W x 232 H x 51mm D approx (no brezel required).
Construction & finish	Green steel.
IP Rating	IP20.
Weight	1.5 kg.
Operating conditions/temperature	-5°C to +40°C. Max relative humidity: 95%.
Notes	Microphone frequency response 250 Hz to 5 kHz \pm 3 dB; Loudspeaker frequency response 250 Hz to 4 kHz \pm 3 dB; Audio output level: 0 dB (775 mV) balanced line.



T 01942 322744 E sales@c-tec.co.uk
F 01942 829867 W www.c-tec.com



C-TEC, Challenge Way, Martland Park, Wigan, WN5 0LD United Kingdom

Green Disabled Refuge Outstation, surface

Part No. **EVC302GS**



Overview

- An attractive Type B disabled refuge outstation.
- Stylishly finished in tough, durable green steel.
- Suitable for use with C-TEC's SigTEL disabled refuge / emergency voice communication system.
- Allows anyone located in a disabled refuge area to communicate with a SigTEL Master Controller at the touch of a button (and vice versa).
- Offers true duplex speech.
- Features a 'Push to Call or Answer' button, a 'Call in Progress' LED, buzzer, microphone and loudspeaker.
- Includes connections for an optional induction loop system and a general-purpose open collector output that closes on activation of the unit.
- Meets and exceeds the requirements of BS 5839-9 when correctly installed.



More Information

Technical Specifications

Approvals/certifications	Facilitates compliance with BS5839-9 when correctly installed.
Supply/operating voltage	11V DC derived from a compatible SigTEL Master Controller (drops to 6 V DC when in use).
Quiescent current	3mA



Activation current	25mA (current draw when intercom is in use).
Open collector outputs	O/P +Ve & O/P -Ve (closes when outstation is active, typically used to trigger a third party CCTV camera, opto-isolated, normally open, max. 24 V DC, 3 mA).
Indicators	Red call in progress LED
Controls	External 'Push to Call or Answer' button (Off Hook); Internal Loudspeaker volume control; Engineer's "On Hook" and "Off Hook" pins.
Expansion connections	AFILS +Ve & AFILS -Ve (typically connected to the line-level input of an optional induction loop amplifier); Off-Hook and -Ve (can be optionally connected to an NC951 accessible toilet alarm kit)
Product dimensions (mm)	160 W x 240 H x 53 D mm.
Construction & finish	Green steel.
IP Rating	IP20.
Weight	1.3 kg.
Operating conditions/temperature	-5°C to +40°C. Max relative humidity: 95%.
Notes	Microphone frequency response 250 Hz to 5 kHz ± 3 dB; Loudspeaker frequency response 250 Hz to 4 kHz ± 3 dB; Audio output level: 0 dB (775 mV) balanced line.



T 01942 322744 E sales@c-tec.co.uk
F 01942 829867 W www.c-tec.com



C-TEC, Challenge Way, Martland Park, Wigan, WN5 0LD United Kingdom